

# Installation & Operating Instructions

## Birko TempoTronic Over-Sink Boiling Water

Boiling water always on tap in kitchens large or small.

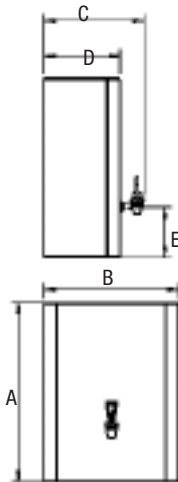
### Key Features

- Choice of models delivering 15 to 150 cups of boiling water at one time.
- Choice of white steel case or stainless steel case at no additional cost.
- Stainless steel tank plus only two moving parts - for minimal maintenance.
- Can be supplied with an external five-micron filter as an optional extra.
- Installation with an approved external water filter is strongly recommended.

### Key Specifications

Model	2.5L	5L	7.5L	10L	15L	20L	25L
Boiling water delivery (cups)	15	30	45	60	100	120	150
Boiling water capacity (litres)	2.5	5	7.5	10	15	20	25
Boiling water recovery (cup/hour)	120	120	120	120	120	120	120
Boiling water element (amps)	10	10	10	10	10	10	10
Supply voltage (volts)	220-240	220-240	220-240	220-240	220-240	220-240	220-240
Minimum water pressure (bar)	2	2	2	2	2	2	2
Maximum water pressure (bar)	10	10	10	10	10	10	10
Overall height A (mm)	430	510	510	565	565	630	630
Overall width B (mm)	315	365	365	425	425	490	490
Depth including tap C (mm)	210	240	240	310	310	340	340
Depth cabinet only D (mm)	125	170	170	240	240	270	270
Tap centre to unit base E (mm)	185	160	160	160	160	170	170

Notes: Cup size is 170 mL. Installation with an external water filter is recommended for protection of the heater and users. Installation with a water filter inhibiting the accumulation of mineral scale is essential in known hard water areas and a sediment filter is essential where water contains excessive sediment.



### Please Read These Warnings First

- Read all installation instructions and precautions before installing heater.
- Never attempt to install any heater without reading all of the instructions.
- All plumbing connections must be made in accordance with AS3500.
- In hard water areas where mineral scale accumulation in the boiling chamber of the heater may become a problem, consideration should be given to the maintenance required.
- Do not use jointing paste on plumbing fittings - use only Teflon Tape.
- The heater is not intended for use by young children or infirm people without supervision.
- Young children should be prevented from having access to ensure that they are not able to use the heater or play with it.
- If the power supply cord is damaged it must be replaced by a Birko Service Provider or qualified technician.
- Do not remove the cover of the heater under any circumstances without first isolating the heater from the power supply.
- Do not use strong, corrosive or abrasive cleaners to clean the exterior.

### Positioning

- Mount the heater in a vertical position over a draining board or sink.
- Tap outlet should be > 200 mm and < 600 mm above the draining board.
- Avoid installation in any area where heater is exposed to excessive steam.
- Minimum operating water pressure is 200 kPa, maximum 1000 kPa.
- Do not install where water is microbiologically unsafe or of unknown quality.



# Installation & Operating Instructions

Birko TempoTronic Over-Sink Boiling Water

## Fastening

Remove the heater's outer case by removing screws at top and bottom.  
Fasten the chassis to the wall using the mounting holes provided.  
Be sure to use fastenings of sufficient strength to hold weight when filled.

## Plumbing

Connect water inlet to cold water supply via half inch compression fitting (supplied) and isolating valve (not supplied). Never connect to hot water supply.  
Connect vent outlet via half inch compression fitting to a vent pipe or tun dish as required by AS3500. The vent may discharge water or steam.

## Electrical

Heater is equipped with 1.8 metre power cord and plug to connect to a 10 amp 220-240 volt power outlet. For fixed wiring use a licensed electrician.

Note: heater is electronically controlled and will not operate with a portable generator power supply or a split system transformer.

## Safety

Take care when using the heater otherwise scalding may occur.  
Heater is fitted with a manual-reset safety device for boil-dry protection.  
Heater is also fitted with an auto-reset thermostat to detect excessive steam in the event of any failure of the electronic controls or water solenoid valve.  
If either safety feature is actuated, the heater must be serviced by a Birko Service Provider or a suitably qualified technician. It is not user-serviceable.

## Commissioning

Once the heater is installed, replace the heater cover and fit the tap.  
To fit the tap, screw it clockwise into the socket a maximum of 4 full turns.  
If tap is not completely tight, remove and fit more sealing tape before refitting.  
Turn on the water and check all connections for leaks.  
Turn on the power and wait 20 minutes before using.

## Priming Mode

When the power is turned on for the first time, the unit will prime itself automatically, covering the heating element. The element will switch ON and boil that amount of water. This will take 10 to 15 minutes and will start the heat-and-refill process until the boiling chamber is filled. The heater then goes into standby mode, keeping the stored water close to boiling point.

## Maintenance

To drain the heater, turn off the power supply and water supply and turn on the outlet tap of the heater to drain the boiling chamber.  
Remove the tap and the front cover.  
Shield the electronic controller from possible water damage.  
Carefully remove the hose from the nipple at the base of the tank and drain the rest of the contents of the tank.  
Beware of splashing water as it may be close to boiling point and could scald.

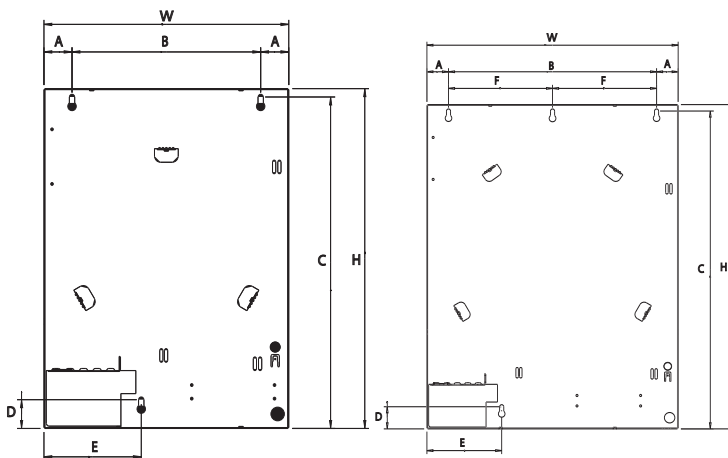
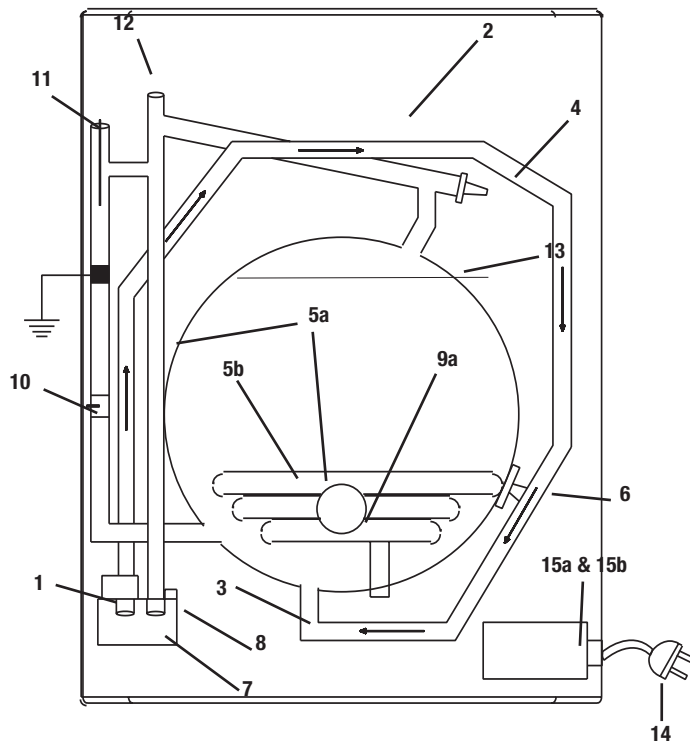
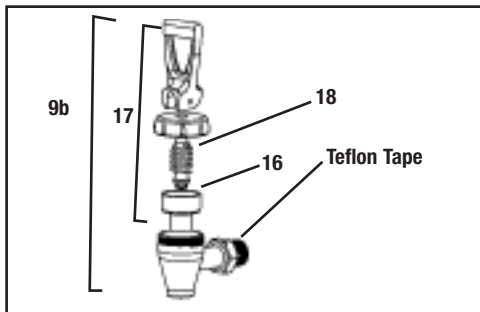
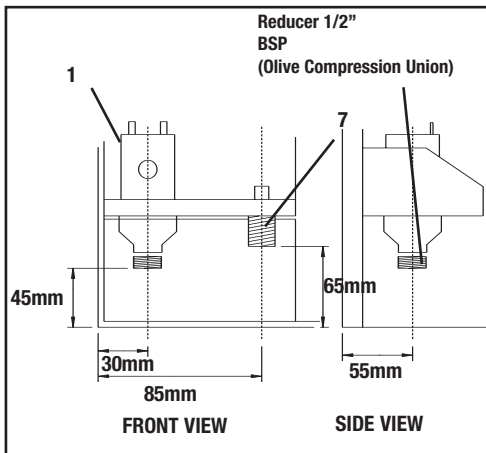
# Installation & Operating Instructions

Birko TempoTronic Over-Sink Boiling Water

## Spare Parts

Ref	Part No	Description
1	1311010	Water Solenoid Valve
2	1311044	Condenser Assembly
3		Cold Water Inlet To Tank
4	1311043	Thermistor Steam Sensor
5a		Element & Tank Assembly
5b	1311032	Element Assembly 5 to 25 Litre
6	1311006	Manual Rest Thermostat (boil dry protection)
7		Steam Vent Outlet (half inch BSP)
8	1311022	Auto Reset Thermostat (steam vent overflow)
9a		Water Outlet Fitting (half inch BSP)

9b	1311056	Tap Assembly
10	1311082	Sensor (minimum water level)
11	1311048	Probe (maximum water level)
12		Steam Vent Outlet
13		Maximum Water Level
14	1310842	Power Cord & Plug Assembly
15a	1311045	Control Board Assembly (2.5 Litre)
15b	1311042	Control Board Assembly (5 to 25 Litre)
16	1311058	Tap Cup Seal
17	1311060	Tap Insert
18	1310732	Tap Spring



## Wall Mounting Dimensions (mm)

	2.5L	5-7.5L	10-15L	20-25L
A	56.4	41.4	41.4	41.4
B	198.0	278.0	335.0	399.0
C	418.45	488.45	545.45	609.45
D	42.45	42.45	42.45	42.45
E	143.4	143.4	143.4	143.4
F				200
H	430.8	500.8	557.8	621.8
W	310.8	360.8	417.8	481.8

2.5- 15L

20-25L

**birko**

# Installation & Operating Instructions

Birko TempoTronic Over-Sink Boiling Water

## Warranty Information

The Birko appliance you have chosen is precision-built from the finest materials available and should give many years of trouble free service.

Birko Heaters Australia Pty Ltd warrants that, should any part fail within 12 calendar months of installation, that part will be repaired or replaced free of charge by Birko or its Distributor or Service Provider, except as set out below, provided the appliance is installed and used strictly in accordance with the written instructions supplied, and that the failure is not due to accident, misuse, abuse, unsuitable water conditions, or to any alteration, modification or repair by any party not expressly nominated by Birko.

No costs are payable by the customer other than any mileage or travelling-time charges incurred by a Birko Service Provider or the cost of removal, cartage and re-installation of any component of the appliance if it needs to be returned for repair to Birko or its Distributor.

This warranty does not cover damage resulting from non-operation of the appliance or consequential damage to any other goods, furnishings or property.

Furthermore, this warranty does not displace any statutory warranty, but, to the extent to which Birko is entitled to do so, the liability of Birko under any statutory warranty will be limited at Birko's option to the replacement of the appliance or supply of equivalent appliance, the payment of the cost of replacing the appliance or acquiring an equivalent appliance, or the payment of the cost of having the appliance repaired or the repair of the appliance.

## Registering Your Purchase

Registering your purchase on the Birko website may help to establish date of purchase should it become necessary to service the appliance under terms of the Birko warranty. To register your installation go to [www.birkoheaters.com](http://www.birkoheaters.com) and look under the heading "Warranty".



Birko Heaters Australia Pty Ltd  
ABN 39 103 881 625  
32 Baker Street Richmond VIC 3121 Australia  
Telephone +61 3 9428 4519  
Facsimile +61 3 9428 9215  
[sales@birkoheaters.com](mailto:sales@birkoheaters.com)  
[www.birkoheaters.com](http://www.birkoheaters.com)

The term 'Birko' is a registered trade mark of Birko Heaters Australia Pty Ltd  
The term 'TempoTronic' is a trade mark.

September 2004 Publication 601007

# birko