

# Operating & Cleaning Instructions

Birko 1.5 Litre TempoTronic Over-Sink Boiling Water - 1070073

Boiling water always on tap in kitchens large or small.

## Key Features

Choice of other Birko models delivering 15 to 150 cups of boiling water at one time.

Choice of white steel case or stainless steel case at no additional cost.

Designed for long life and ease of maintenance.

Installation with Birko Triple Action Submicron external water filter is strongly recommended.

## Please Read These Warnings First

Read all installation instructions and precautions before installing heater.

Never attempt to install any heater without reading all of the instructions.

All plumbing connections must be made in accordance with AS3500.

In hard water areas where mineral scale accumulation in the boiling chamber of the heater may become a problem, consideration should be given to the maintenance required.

Do not use jointing paste on plumbing fittings - use only Teflon Tape.

The heater is not intended for use by young children or infirm people without supervision.

Young children should be prevented from having access to ensure that they are not able to use the heater or play with it.

If the power supply cord is damaged it must be replaced by a Birko Service Provider or qualified technician.

Do not remove the cover of the heater under any circumstances without first isolating the heater from the power supply.

Do not use strong, corrosive or abrasive cleaners to clean the exterior.

## Installation Requirements

Before installing, ensure that the following are available:

- Sufficient space to position the heater so there is at least 150 mm clearance above the heater for service access, 65 mm to its left and 20 mm to its right – the tap outlet usually should be positioned at least 200 mm above a draining board or drip tray.
- Standard 220- 240 volt power cable positioned as shown on the paper mounting template for connection from the rear of the heater to the terminal block within the heater, OR a standard 10 amp 220- 240 volt power outlet on the wall within 1500 mm of the heater.  
This switch must provide all pole disconnection and a contact separation of at least 3 mm installed in accordance with wiring rules.
- Cold water supply with a minimum working pressure of 100 kPa and a maximum working pressure of 700 kPa connected via an isolation valve.
- Outlet drainage to a sink draining board or to a drip tray.

## Key Specifications

Model	1.5L
Boiling water delivery (cups)	8
Boiling water capacity (litres)	1.5
Boiling water recovery (cup/hour)	100
Boiling water element (amps)	6.8
Supply voltage (volts)	220-240
Minimum water pressure (bar)	1
Maximum water pressure (bar)	7
Overall height (mm)	335
Overall width (mm)	268
Depth including tap (mm)	170
Depth cabinet only (mm)	77
Tap centre to unit base (mm)	185
Approx weight when filled	7.5 kg

Notes: Cup size is 170 mL. Installation with an external water filter is recommended for protection of the heater and users. Installation with a water filter inhibiting the accumulation of mineral scale is essential in known hard water areas and a sediment filter is essential where water contains excessive sediment.



# Operating & Cleaning Instructions

Birko 1.5 Litre TempoTronic Over-Sink Boiling Water

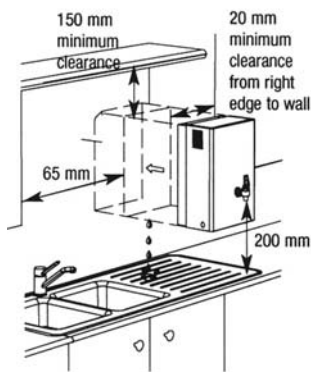
- e) Access to drainage from a vent situated at the base of the heater.  
If the water pressure is likely to exceed 700 kPa, a 350 kPa pressure reducing valve must be installed in the cold water supply line.
- f) In all installation instances the walls of the heater must be vertical and the base horizontal, there can be no exceptions to this rule.

### Before You Begin

Locate the paper mounting-hole template packed with the heater.  
Read the installation and operating instructions completely.  
Decide whether to install with concealed or exposed plumbing and/or electrical connections. Concealed connections are preferred for superior appearance.

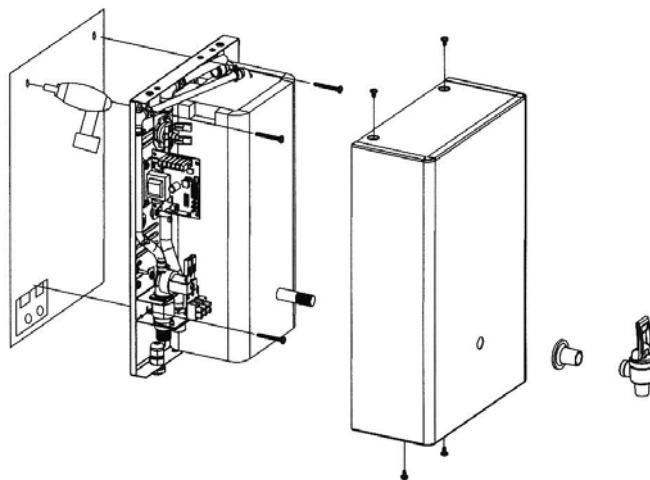
### Positioning

Mark corner positions for the heater on the wall so as to position the paper mounting-hole template.  
Provide clearance for service access of not less than 150 mm top, 65 mm left, 20 mm right.  
Avoid installation in any area where heater is exposed to excessive steam.  
Minimum operating water pressure is 100 kPa, maximum 700 kPa.  
Do not install where water is microbiologically unsafe or of unknown quality.



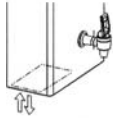
### Fastening

Position mounting-hole template on wall and drill holes where shown.  
Drill holes for water inlet, vent outlet and wiring if rear access is intended.  
Remove cover fastening screws from heater and lift whole cover off heater.  
Install plumbing and wiring and prepare pipe ends and wiring ends as required.  
Screw heater chassis to the wall using screws or bolts suited to the walling.  
Be sure to use fastenings of sufficient strength to hold weight when filled



# Operating & Cleaning Instructions

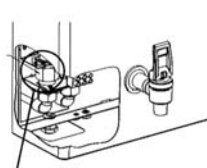
Birko 1.5 Litre TempoTronic Over-Sink Boiling Water



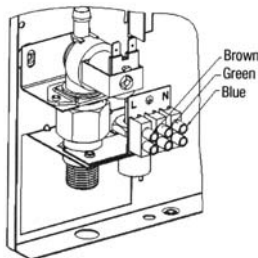
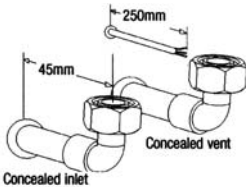
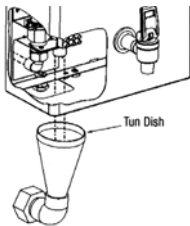
Exposed power and water are connected through base.



Concealed power and water are connected through rear.



**Note:** Ensure the brass hexagonal fitting is securely held with an appropriate spanner while tightening the plumbing connections.



## Plumbing

For exposed plumbing connection, connect the cold water inlet pipe from the base of the heater directly to the 15 mm or 1/2 inch BSP compression fittings.

For concealed plumbing connections, connect the cold water pipe through the rear of the chassis using a 15 mm or 1/2 inch BSP capillary elbow (# 63 Swivel Elbows).

Cold water pipes must be flushed before connection to the inlet. Any clogging due to sediment or fines will adversely affect the operation of the heater.

It is recommended that the heater be installed with a stop cock which allows it to be isolated from the mains supply for servicing.

Water pressure requirements:

Minimum - 100 kPa, maximum - 700 kPa.

**Warning:** If pressure is likely to exceed 700 kPa, a pressure limiting valve must be installed in the cold water supply line. Birko recommends a valve rated at 350 kPa for this application.

## Venting

A vent at the base of the heater must be plumbed to a safe visible location as, under certain conditions, it may discharge cold or boiling water and/or steam.

For exposed vent plumbing, connect vent outlet from the base of heater to a 15 mm or half inch OD pipe which has a continuous fall, is no more than 3 metres long, has no more than 3 right angle bends, and discharges to a waste water drain.

For concealed vent plumbing, connect plumbing to the vent outlet from the heater rear using a capillary elbow protruding 45 mm from the wall.

Alternatively attach a tun dish to the wall as shown and plumb away to waste.

## Electrical

This unit is designed for connection to 220-240 volt AC power supply via a concealed electrical connection.

For exposed electrical connection the unit is fitted with a power cable connected directly to the terminal block through the heater base.

For concealed electrical connection, fit a power cable from the rear through the chassis opening provided directly to the terminal block as shown.

# Operating & Cleaning Instructions

Birko 1.5 Litre TempoTronic Over-Sink Boiling Water



Applying PTFE tape



The escutcheon located between the tap and case

### Assembling

Without the cover on, turn the water on to check for any leaks. These should be apparent in a couple of seconds. If all is dry then isolate water and replace cover. If there are any leaks re-visit plumbing instructions.

With the cover on, fit the black escutcheon over the outlet tube and apply PTFE tape to the threaded portion of the outlet tube.

Screw the tap assembly clockwise onto the outlet tube until it touches the escutcheon without pressure. Continue to turn the tap one full rotation until the handle is fully vertical. If the tap still "feels loose" continue to rotate one further turn leaving the tap in a vertical position.

### Commissioning

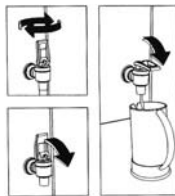
Check previous steps. Turn water supply ON, check connections for leaks.

Turn power ON. After a short period, boiling water will be available and will be maintained close to boiling point thereafter. Initial heating periods are shown below.

Inlet water temps	15°C	10°C
1.5 Litre models	15 mins	16 mins



Locating the tap in auto return position.



Locating the tap in tap lock position

### Tap Operation

The Birko TempoTronic is fitted with a two-way safety tap for instant boiling water.

For instant boiling water, gently pull the top of the tap forward.

Boiling water will flow until the tap handle is released.

This operation gives fingertip flow control for safe filling of cups and mugs.

To fill larger vessels such as teapots and saucepans, rotate the tap 180 degrees and depress it until it locks into a horizontal position.

Boiling water will flow until the tap is returned to its normal vertical position. This operation allows the vessel to be filled without holding your hand where it may be affected by steam.



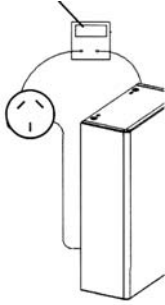
### Cleaning Case

Do not use strong, corrosive, spray or abrasive cleaners. Clean the case with a soft cloth or brush and mild soap and water.

# Operating & Cleaning Instructions

Birko 1.5 Litre TempoTronic Over-Sink Boiling Water

If required, an earth continuity test can be performed by testing between the earth pin on the products lead and a exposed piece of metal on the case.



### Earth Continuity Verification

**Warning: this appliance must be earthed.**

Following installation or any remedial service the earthing continuity of the heater must be checked by a qualified technician using an appliance tester, or continuity tester of accuracy Class 5 or better. Class 5 denotes an accuracy of 5% full scale deflection.

1. Isolate power supply.
2. Set meter to 0 ohm with leads connected together.
3. Connect one test lead to the earth pin on the three pin plug.
4. Connect the other test lead to a bare patch of metal (preferably on the edge) of the top of the cover, then to the front cover of the unit, and then to the tap body paddle.

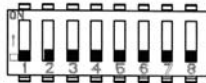
Warning- the water may be boiling - show extra care.

5. Test that in every instance the electrical resistance does not exceed 1 ohm.

### Problem Solving

SYMPTOM	POSSIBLE CAUSE	SOLUTION
Fails to fill on initial startup	No power supply or no water supply. Possible internal adjustment needed.	Check power and water is available and turned on. If this does not rectify the problem call Birko on 03 9428 4519
Runs out of boiling water and fails to refill. Not heating. Outlet tap dripping. Overflow from vent. Excess steam from the vent or overload tripping. Overload tripping but no excess steam. Low water temperature.	As above.	As above.

### Temperature Setting



Factory setting for 1.5 litre  
All switches OFF.

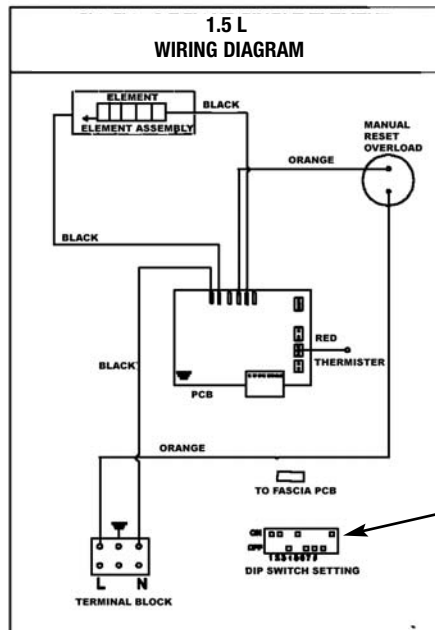
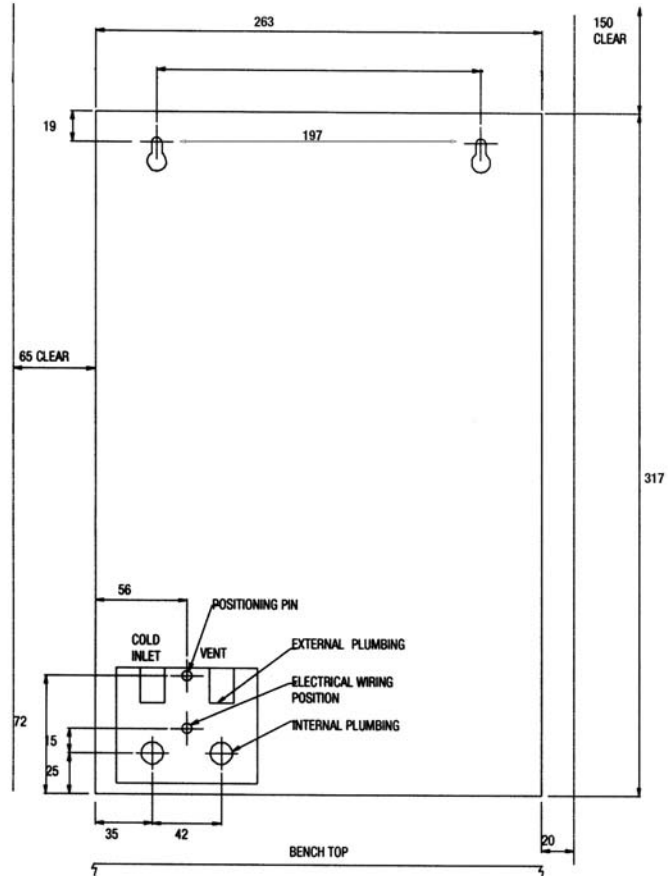


All models - when altitude is above 1000 meters or there is excessive steam evident set No's. 1 & 2 ON.

# Operating & Cleaning Instructions

Birko 1.5 Litre TempoTronic Over-Sink Boiling Water

Wall Mounting Template Dimensions & Electrical Diagram

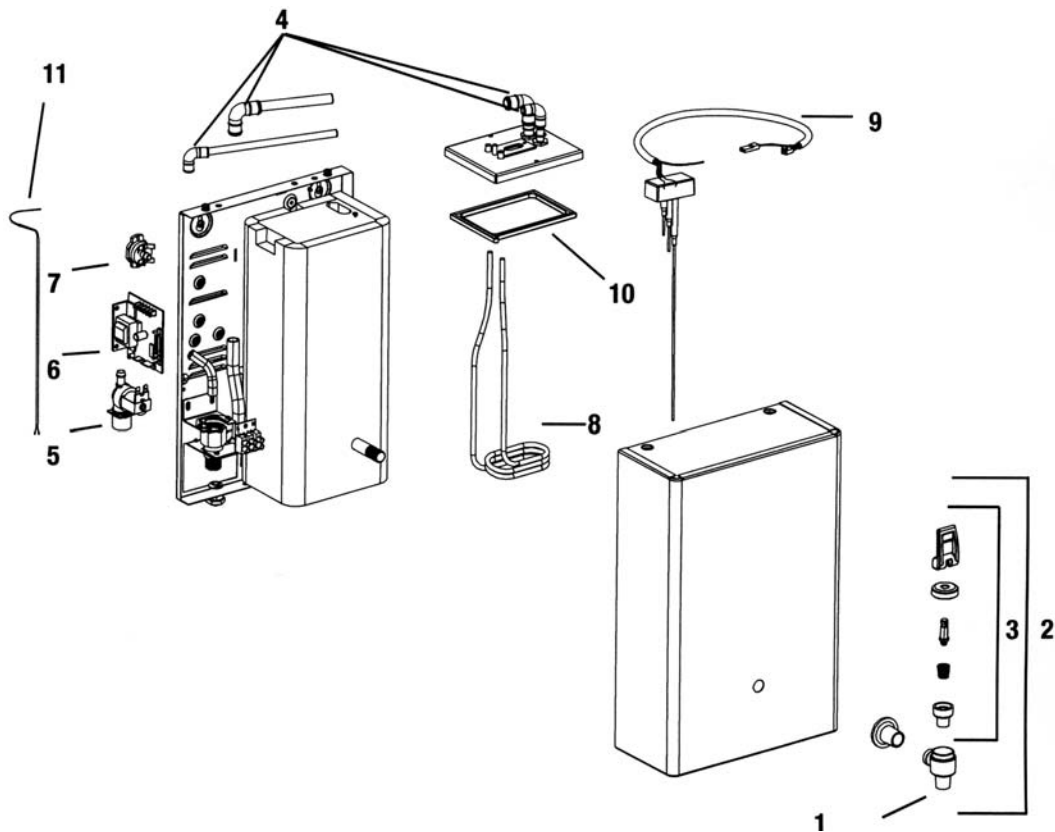


Display settings only

# Operating & Cleaning Instructions

Birko 1.5 Litre TempoTronic Over-Sink Boiling Water

	<b>PART NO.</b>	<b>DESCRIPTION</b>
1	1311040	Escutcheon Kit
2	1311055	Tap Assembly Kit Complete
3	1311059	Tap Top Kit
4	1311041	Silicon Elbows Kit
5	1311081	Solenoid Assembly Kit - 240 volt - flow rate 0.5 ltr / minute
6	1311039	PCB Kit
7	1311031	Overload Kit 90 deg
8	1311083	Element Kit 1.5 Kw / 1.5ltr
9	1311036	Level Sensor Kit 1.5ltr
10	1311034	Tank Gasket Kit 1.5ltr
11	1311035	Temperature Probe Kit



# Operating & Cleaning Instructions

Birko 1.5 Litre TempoTronic Over-Sink Boiling Water

## Warranty Information

The Birko appliance you have chosen is precision-built from the finest materials available and should give many years of trouble free service.

Birko Heaters Australia Pty Ltd warrants that, should any part fail within 12 calendar months of installation, that part will be repaired or replaced free of charge by Birko or its Distributor or Service Provider, except as set out below, provided the appliance is installed and used strictly in accordance with the written instructions supplied, and that the failure is not due to accident, misuse, abuse, unsuitable water conditions, or to any alteration, modification or repair by any party not expressly nominated by Birko.

No costs are payable by the customer other than any mileage or travelling-time charges incurred by a Birko Service Provider or the cost of removal, cartage and re-installation of any component of the appliance if it needs to be returned for repair to Birko or its Distributor.

This warranty does not cover damage resulting from non-operation of the appliance or consequential damage to any other goods, furnishings or property.

Furthermore, this warranty does not displace any statutory warranty, but, to the extent to which Birko is entitled to do so, the liability of Birko under any statutory warranty will be limited at Birko's option to the replacement of the appliance or supply of equivalent appliance, the payment of the cost of replacing the appliance or acquiring an equivalent appliance, or the payment of the cost of having the appliance repaired or the repair of the appliance.

## Registering Your Purchase

Registering your purchase on the Birko website may help to establish date of purchase should it become necessary to service the appliance under terms of the Birko warranty. To register your installation go to [www.birkoheaters.com](http://www.birkoheaters.com) and look under the heading "Warranty".

Birko Heaters Australia Pty Ltd  
ABN 39 103 881 625  
32 Baker Street Richmond VIC 3121 Australia  
Telephone +61 3 9428 4519  
Facsimile +61 3 9428 9215  
[sales@birkoheaters.com](mailto:sales@birkoheaters.com)  
[www.birkoheaters.com](http://www.birkoheaters.com)

The term 'Birko' is a registered trade mark of Birko Heaters Australia Pty Ltd

March 2004 Publication 6001038